

# LED Flood Lighting



LED 투광등

- Top rate energy saving
- Excellent luminous efficiency
- Consistent color rendering
- Light weight
- Effortless installation
- Quality waterproof part

LED Flood Lighting

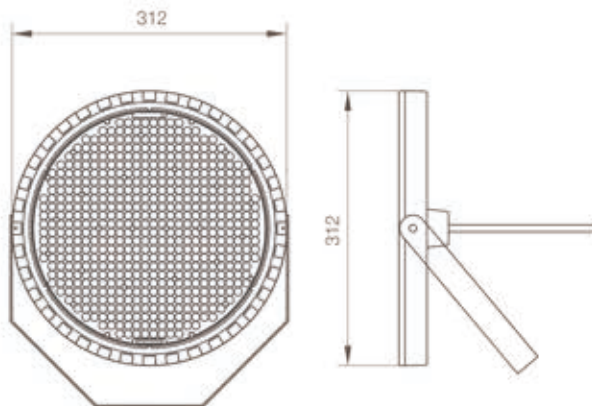
## LED Luna



### PRODUCT CONTENTS

Model No.	LUNA-F-70 (LUNA-FL-L70)	LUNA-F-80 (LUNA-FL-L80)	LUNA-F-100 (LUNA-FL-L100)	LUNA-F-120 (LUNA-FL-L120)
Power	70W	80W	100W	120W
Replaced	MH 250W	MH 300W	MH 400W	MH 450W
Energy saving	75%	75%	75%	75%
Certificate	KS, High-Efficiency		KS	
Luminous efficiency	150lm/W ±10%	149lm/W ±10%	140lm/W ±10%	133lm/W ±10%
Total luminous flux	10,500lm ±10%	11,920lm ±10%	14,000lm ±10%	15,960lm ±10%

### PRODUCT SPECIFICATION



Type	External, SMPS
Protection	IP-66
Ambient temp.	-30~+70°C
Weight	4Kg
Warranty	3 Years
Rated voltage	AC 100~240V
Frequency	50HZ ~ 60HZ
Power factor	MIN, 90%
CCT	5,000K±10%
CRI	85±5%
Beam angle	60°, 120°
Descriptions	Materials
Body & Cover	Cast Aluminum Alloy
Front cover	Heat resistant hard glass
SMPS	Constant Current
ACC	SUS

### CERTIFICATION



High Efficiency  
Certificate



KS Certificate



Korean Women  
Entrepreneurs  
Association

### PHOTOMETRIC DATA

Photometric data-60

